

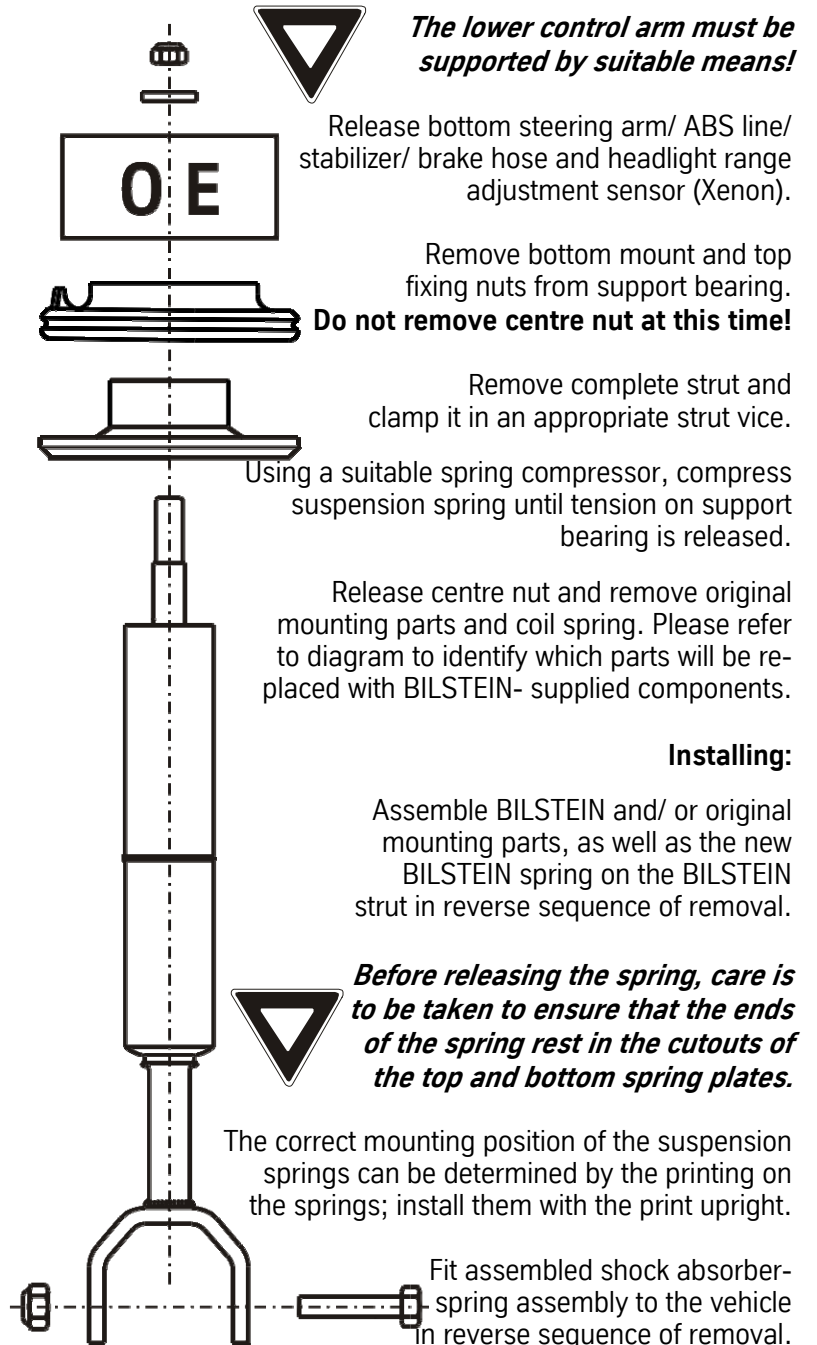
E4-WM5-Y261A01

MOUNTING INSTRUCTION



Removal:

Place vehicle on a chassis hoist, lift it and remove wheels.



All rubber- mounted strut/ damper attachments must not be fully tightened until AFTER the suspension system is loaded (wheels on the ground). Other mounting fasteners (for example brackets) must be securely tightened BEFORE load is placed on the suspension system.

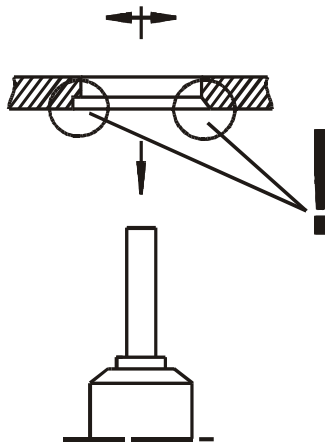
All self- locking nuts must be replaced.
Tightening torques see list.

MOUNTING INSTRUCTION

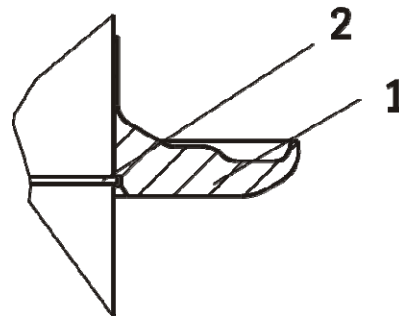


ALL DIAGRAMS ARE GENERALIZED
AND NOT TO SCALE!
BRACKETS, ETC. SPECIFIC TO
STRUT ARE NOT SHOWN!

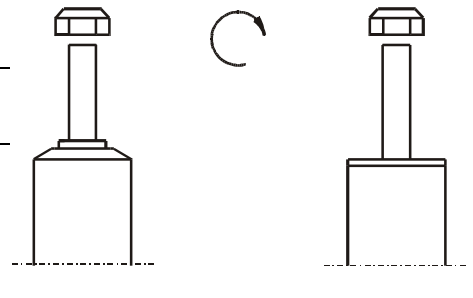
Fitting of plates with
chamfer (if exist)



When fitting the spring plate (1) care must be taken to ensure that the circlip ring (2) is seated correctly!



	M 8	M 10	M 12	M 14	M 16	List
						Thread
	13	25	45	72	110	Torque Nm
	10	19	34	54	83	Torque ft lb



DO NOT USE AN IMPACT TOOL TO LOOSEN
OR TIGHTEN FASTENERS DUE TO POSSIBLE
DAMAGE TO THE PRODUCT.
SELF- LOCKING NUTS MUST ONLY BE
USED ONCE!