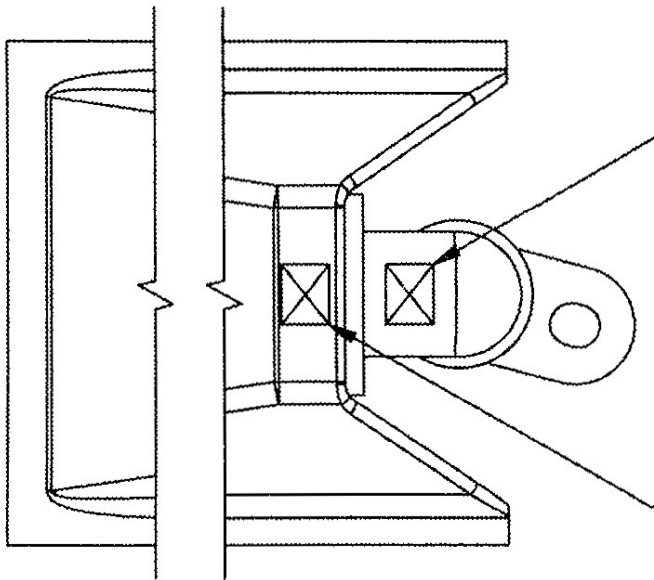


IMPORTER



CAUTION

When assembling strainer assembly to pump, do not apply pressure on strainer material as shown below.



Apply pressure at this location to assemble strainer to pump.

Do not apply pressure in this area to assemble.  
May cause damage to strainer assembly.